

# Putzmeister rotary distributors – flexible additional equipment for concrete delivery

**Putzmeister**



# Rotary distributors RV 0 and RV 7

Mechanical distributors lend themselves perfectly where placement using truck-mounted pumps and stationary placement booms reach their technical and cost-efficient limits; i.e.

- in large areas and floors which are either out of reach or only partly within the placing reach of truck-mounted pumps
- for floors and pillars where the use of a placing boom would be too complicated
- fabrication of pre-cast parts
- in tunnel construction sites

Putzmeister offers rotary distributors with reaches of up to 22 m.



The rotary distributor RV 7: Weight without ballast 610 kg · ballast 280 kg

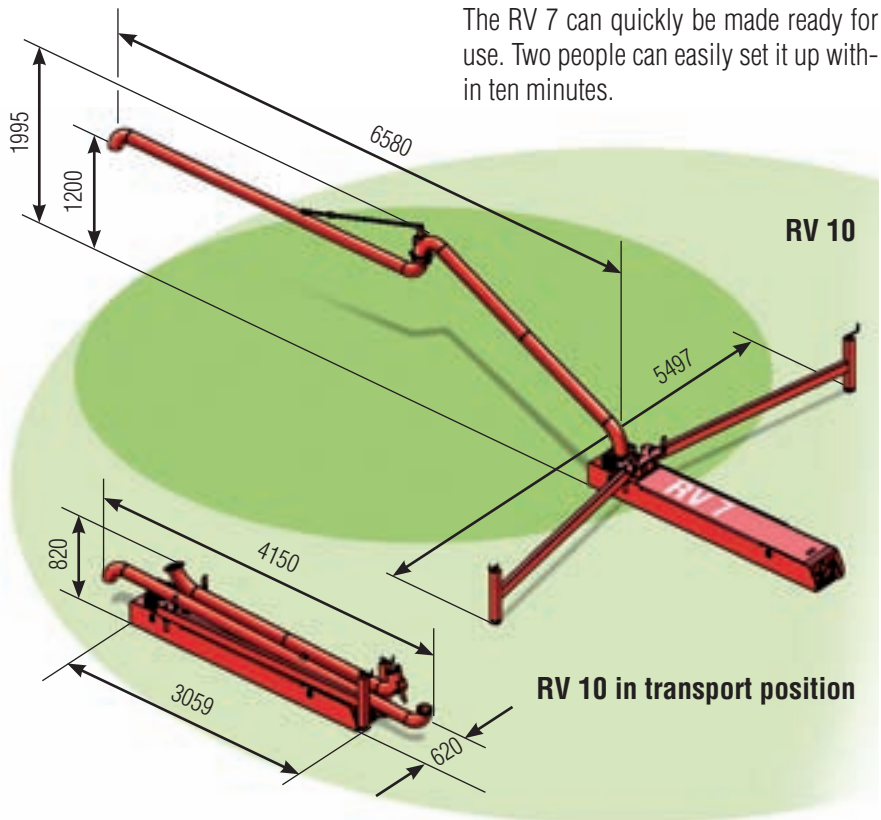
The RV 7 rotary distributor has been developed as a small, flexible piece of equipment. Thanks to its compact dimensions and light weight, it can be transported easily.

It can be transported by trailer or carried on larger truck-mounted concrete pumps where the weight situation allows. It fits perfectly into the bracket for 3-metre pipes. This bracket is present on the support feet of many machines.

The RV 7 can quickly be made ready for use. Two people can easily set it up within ten minutes.



The RV 0 is ideal for tight spaces on the construction site. It is a compact, manually guided additional unit for spreading concrete. Its slewing circle is unrestricted. It consists of a base frame and articulated joint with two delivery line elbows. This base frame can be adapted in such a way that it can be equipped with delivery line elbows of all the usual line diameters and coupling sizes.



RV 10

RV 10 in transport position

# Rotary distributor RV 10

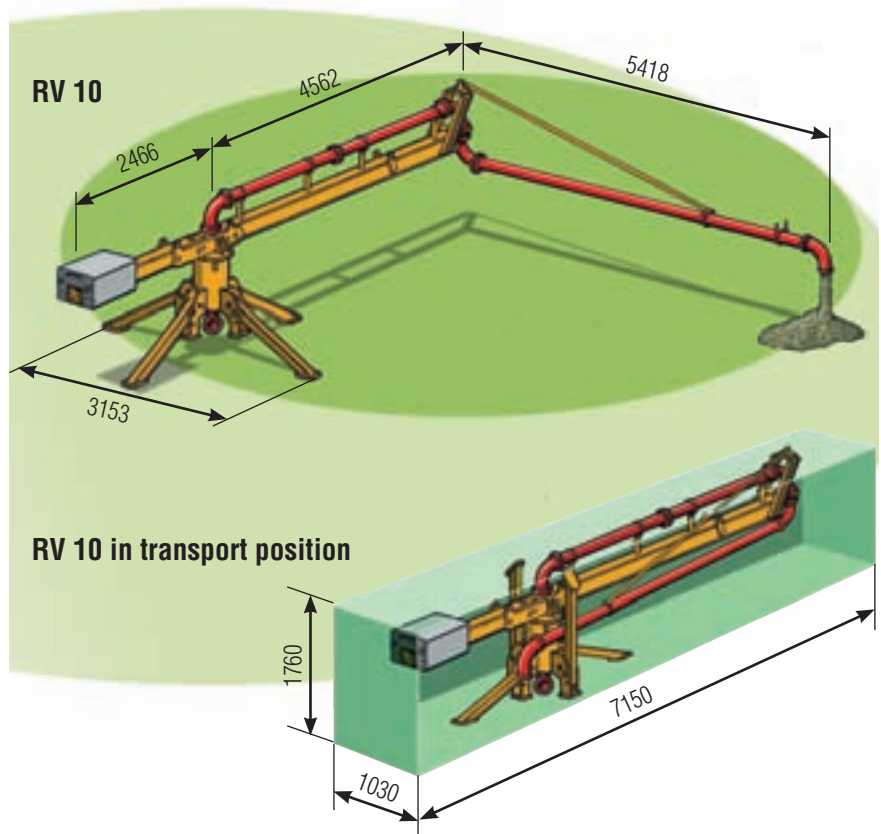


The RV 10 extends the horizontal reach of every truck-mounted concrete pump

The mechanical distributor RV 10 is ideal for use on large areas and floors. Areas of up to 320 m<sup>2</sup> respectively can be concreted from one fixed location. The hard involved when delivery lines are freely routed across the deck is therefore no longer necessary.

By relocating the distributor with a construction crane, practically any size area can be concreted by simply extending or shortening the delivery line or delivery hose.

The dimensions of the rotary distributor in transport position allow for simple and space-saving transport via truck or on a trailer to the construction site.



# Rotary distributors RV 12-Lift / RV 13 / RV 15



With the RV 12 lift, surfaces and columns for concreting up to 4.4 m high can be easily reached. To adjust the height, the last arm can be raised with a hydraulic hand-operated pump.

The RV 13 rotary distributor can concrete areas of up to 500 m<sup>2</sup> from one fixed point, while the RV 15 can manage up to 700 m<sup>2</sup>.

As an option, the arms can be moved electrically on Putzmeister rotary distributors. For precasting plants, the rotary distributors can be fitted out so that they can be moved on rails.

## Useful accessories

### Reduction pipe

5.5" to 4.5", 1000 mm long

Part no. 057604.006



**Screw-on feet** can be used to increase the height of the RV 13 / RV 12-Lift by 0.5 m.

1 set (4 pieces)  
Part no. 441194

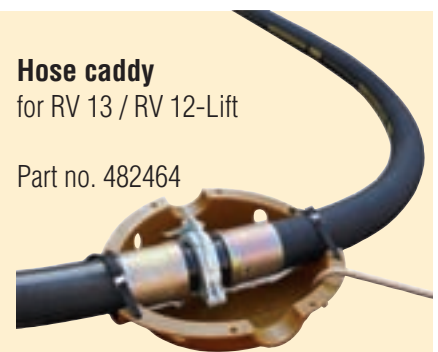


**2-layer piping possible**

### Hose caddy

for RV 13 / RV 12-Lift

Part no. 482464



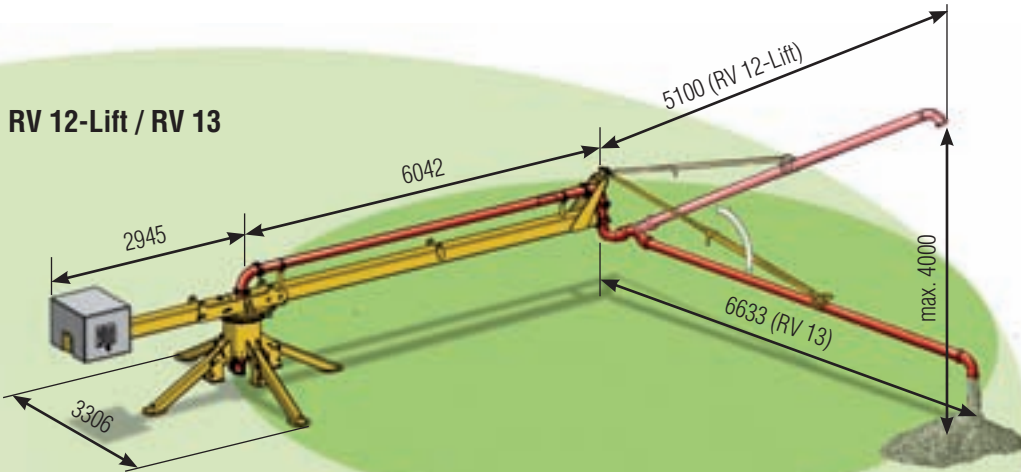
### PVC hose (without fig.)

2.0 m, SK 100 / 4,5"

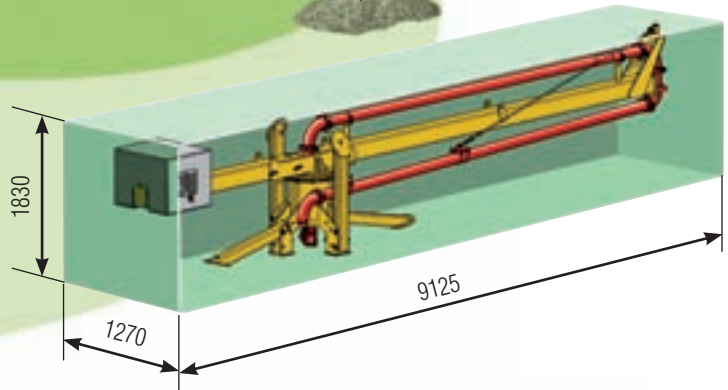
Part no. 446313



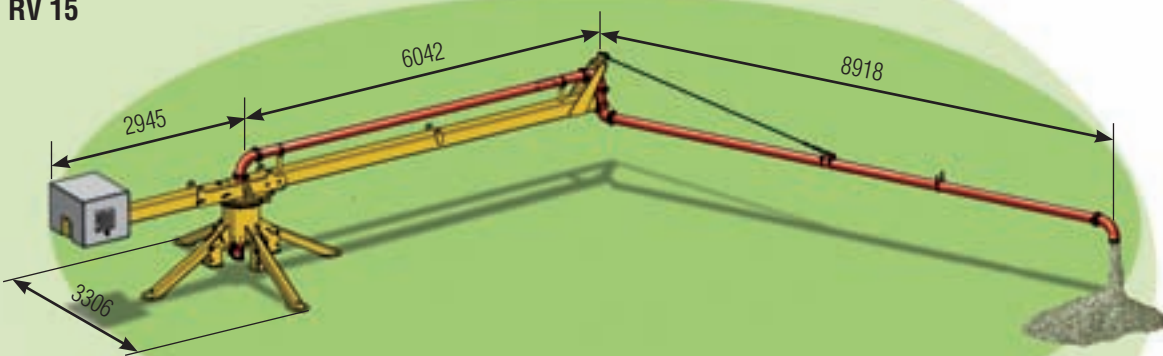
**RV 12-Lift / RV 13**



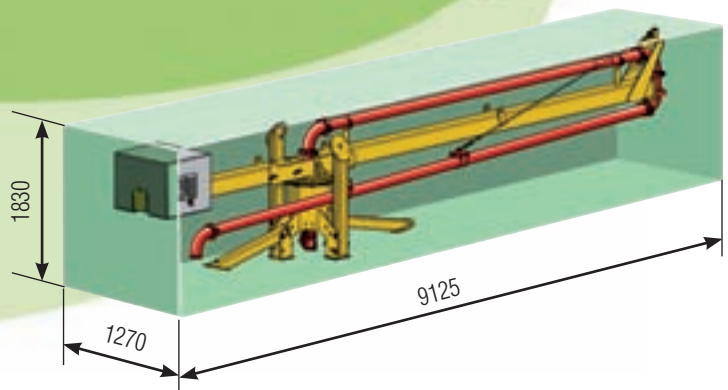
**RV 10 in transport position**



**RV 15**

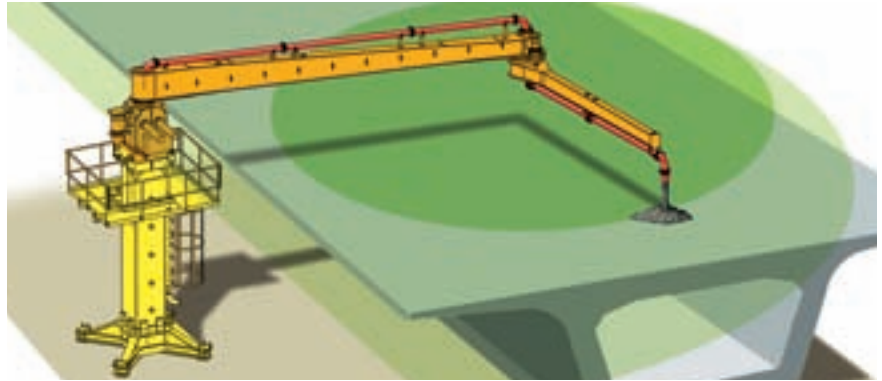


**RV 10 in transport position**



# Rotary distributors RV 16 / RV 22

Precasting plants mainly use hydraulically swivelled rotary distributors with a reach of 16 or 22 m. These rotary distributors are fitted to standard PM tubular columns, and are operated by remote control.



RV 16 rotary distributor in use in the production of bridge sections



Type	Delivery line DN pipe	Arms	Reach m	Placing area m <sup>2</sup>	Transport diemnsions m	Weight kg	Part no.
RV 0	100	-	-	-	0.8 x 0.5 Ø	68	087179
RV 0	125	-	-	-	0.8 x 0.5 Ø	68	087178
RV 7	125	2	6.6	132	4.2 x 0.6 x 0.8	610	455597
RV 10	125	2	10	320	7.1 x 1.0 x 1.8	1020	426078
RV 12-Lift	100	2	12	450	9.1 x 1.3 x 1.8	2600	487841
RV 12-Lift	125	2	12	450	9.1 x 1.3 x 1.8	2600	522819
RV 13	100	2	13	500	9.1 x 1.3 x 1.8	2600	491835
RV 13	125	2	13	500	9.1 x 1.3 x 1.8	2600	467317
RV 15	100	2	15	700	9.1 x 1.3 x 1.8	2600	498376
RV 16	125	2	16	800	9.4 x 2.0 x 2.2	5050	102206000
RV 22	125	2	22	1500	12.2 x 2.0 x 2.2	5050	102207000

## The Putzmeister Group

Concrete Technology PCT · Mortar Technology PMT  
Pipe Technology PPT · Water Technology PWT  
Industrial Technology PIT · Belt Technology PBT  
Underground Technology PUC

Right to make technical amendments reserved  
© by Putzmeister Concrete Pumps GmbH 2010  
All rights reserved  
Printed in Germany (11007Sc)

Putzmeister Concrete Pumps GmbH  
Max-Eyth-Str. 10 · 72631 Aichtal/Germany  
P.O.Box 21 52 · 72629 Aichtal/Germany  
Tel. +49 (71 27) 599-0 · Fax +49 (71 27) 599-520  
E-mail: pmw@pmw.de · www.putzmeister.com

# Putzmeister