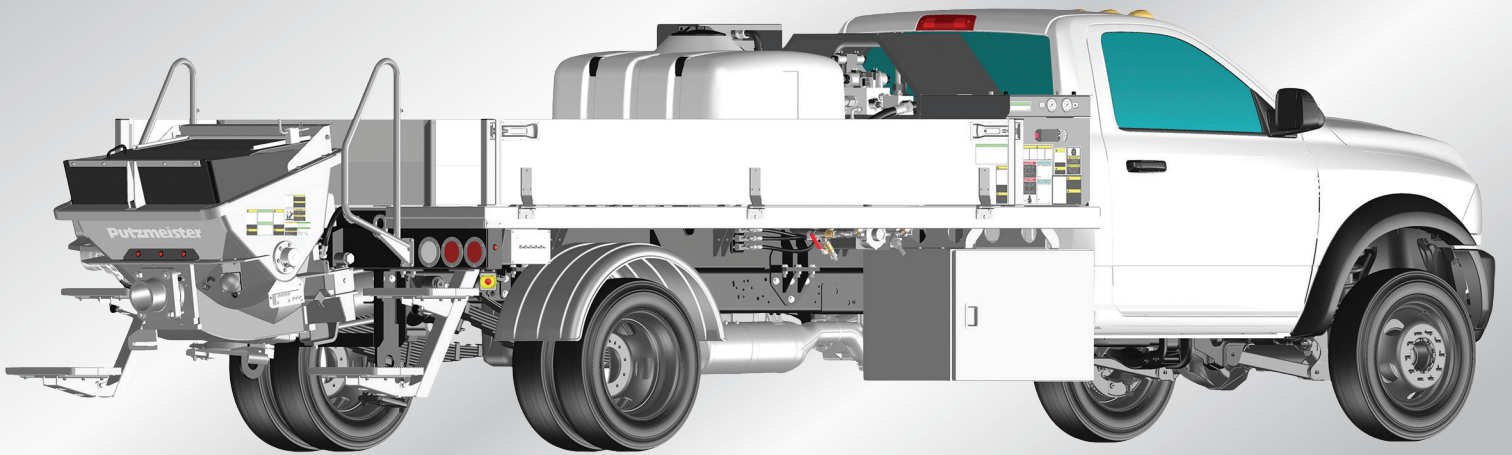




Putzmeister



VSP 70

Vehicle Mounted Thom-Katt® Pump

Driven to perform

We listened to our customers and we've improved our product line with the VSP 70 Vehicle Mounted Thom-Katt® Pump. It delivers the same high-level performance and output as the reliable Thom-Katt® TK 70 on a rugged flatbed-style chassis. It doesn't require a CDL to operate, which means more versatility for your staff and one more way that we're delivering the INDUSTRY'S #1 CUSTOMER EXPERIENCE.

VSP 70 Specifications

Dimensions		
Fill height	46.3'	(1,175mm)
Deck height	44.5"	(1,130mm)
Deck length	11.3'	(3.45m)
Height	80.3"	(2,040mm)
Width	96.5"	(2,450mm)
Length	27.6'	(8.4m)

Capacities		
Hopper	9.5 ft³	270L
Hydraulic tank	45 gal	170L
Water tank	150 gal	570L

Performance		
Output Vol	74 yd³/hr	57m³/hr
Output Press	1,130 psi	78 bar
Strokes/min	43	43

Major Parts		
Hy-cyl		110 x 63 R mm
Del-cyl		180 x 1000mm
S-tube		S1812
Outlet		5" HD

Chassis		
Mfr		Ram 5500 Regular Cab 4x4
Engine		6.7L Cummins Diesel
Power	325 hp	242kW
Torque	750 lb-ft	1,016Nm
Transmission		Automatic 6-speed
Fuel tank	22 gal	83L
WB	204"	5,180mm
CA	120"	3,050mm
Max GVWR	19,500 lb	8,845kg
Max GAWR Front	7,250 lb	3,288kg
Max GAWR Rear	13,500 lb	6,123kg



Putzmeister America, Inc.
1733 90th Street
Sturtevant, WI 53177 USA

Phone (262) 886-3200
Toll-free (800) 884-7210
Fax (262) 884-6338